


GSDS-100-TV Short Arm Soft-Down Stay

Downward opening · Short arm

Opening Direction	Item Name	Description	Non-handed	Maximum Door Moment
 Downward-opening	GSDS-100W(B)-TV	-	Yes	0.49-1.18 N · m/pc (5-12 kgf · cm/pc)
	GSDS-100W(B)-TVZ			1.62-3.68 N · m/pc (16.5-37.6 kgf · cm/pc)
	GSDS-C100W(B)-TV	With Catch		0.49-1.18 N · m/pc (5-12 kgf · cm/pc)
	GSDS-C100W(B)-TVZ			1.62-3.68 N · m/pc (16.5-37.6 kgf · cm/pc)

Features

- Soft-closing for downward-opening doors
- Non-handed: Can be installed either on left or right side
- **GSDS-C100-TV** (with catch) is designed to hold the door in fully closed position
- Catch is necessary when using **GSDS-100-TV** (without catch)
- Can be used with 3 way adjustable drop hinge **GSDH-001**

Notes

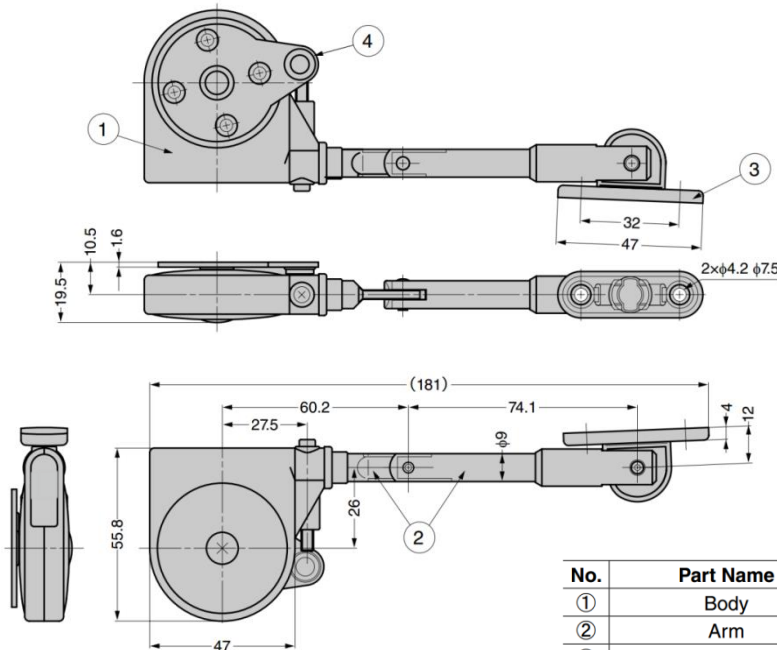
- Operating temperature: 0°C - 40°C
- When placing objects or working on the surface of opened door, install a brace or reinforcement material to support the door in addition to the stay

Parts Included

- Mounting plate **GSDS-A**
- Countersunk head tapping screw 3.5×14

Sold Separately

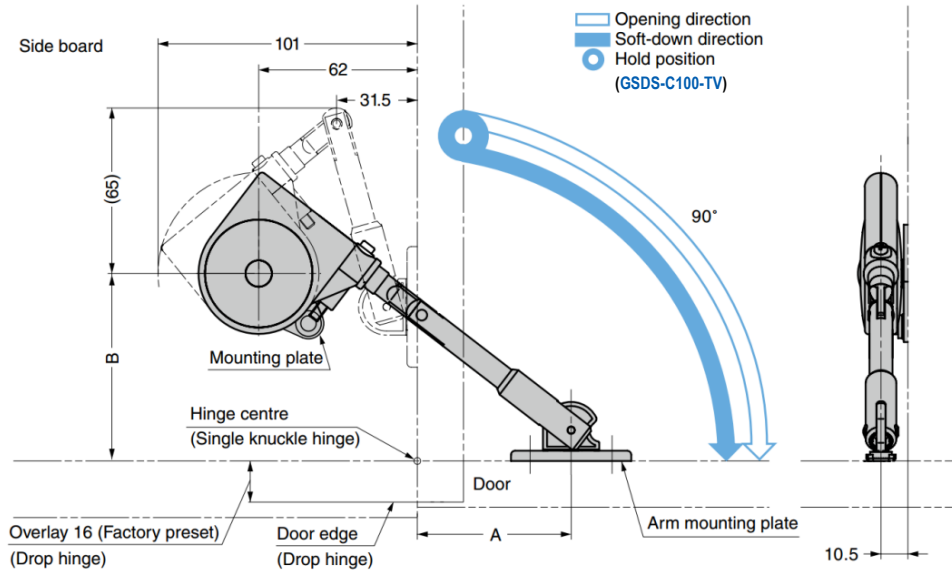
- **GSDS** face plate and spacer for glass door installation



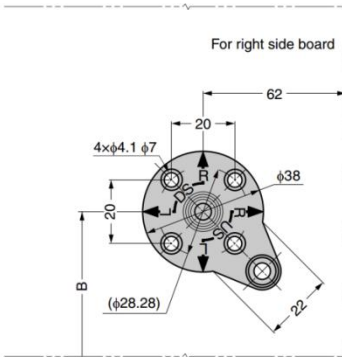
No.	Part Name	Material	Finish/Colour
①	Body	ABS	White, Black
②	Arm	Steel (SPCC)	Nickel
③	Arm Mounting Plate		
④	Mounting plate		

Installation Illustration: Right side installation for downward-opening 90°.

Comes down slowly and softly in opening direction. Installation with piano/butt hinge or drop hinge shown below.



Installation for Mounting Plate



For right side board, install with the "→" mark of R at DS side directly upwards.
For left side board, install with the "→" mark of L at DS side directly upwards.

Hinge Type	A	B
Single Knuckle Hinge	60	73
Drop Hinge GSDH-001	65※ ₁	62
Drop Hinge GSDH-P	66※ ₂	60

●※₁ In case of overlay 16 mm (factory preset).

●※₂ In case of overlay 19mm (factory preset).

※ Install according to the dimensions in the above figure and table after making door overlay, clearance and horizontal adjustment.

Glass Face Plate and Spacer (Sold Separately)

Part No.	Material	Finish
GSDS-50G-CR	Zinc Alloy / ABS	Chrome / Black
GSDS-50G-BL		Black Enamel Finish / Black

Body

Part No.	Type	Material	Maximum Door Moment (per piece)	
GSDS-100W-TV	Without Catch	White	0.49 ~ 1.18 N.m	5 ~ 12 kgf.cm
GSDS-100B-TV		Black		
GSDS-C100W-TV	With Catch	White		
GSDS-C100B-TV		Black		
GSDS-100W-TVZ	Without Catch	White	1.62 ~ 3.68 N.m	16.5 ~ 37.6 kgf.cm
GSDS-100B-TVZ		Black		
GSDS-C100W-TVZ	With Catch	White		
GSDS-C100B-TVZ		Black		

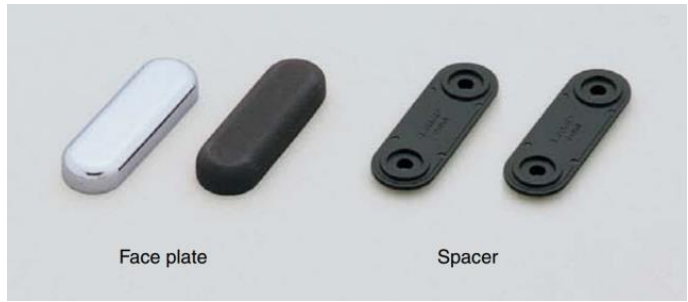
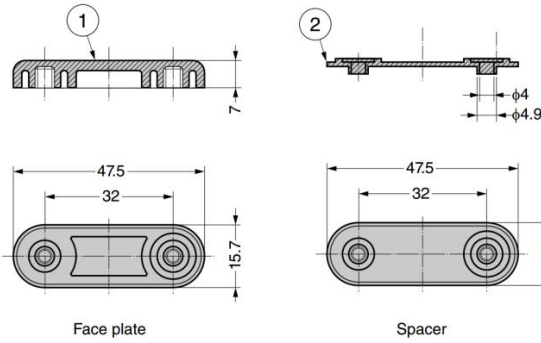
GSDS-50G Face Plate And Spacer For Glass Door

Features

- Glass door face plate for **GSDS** and **GNSDX** lid supports

Parts Included

- Countersunk head screw M4×14 (2 pcs)



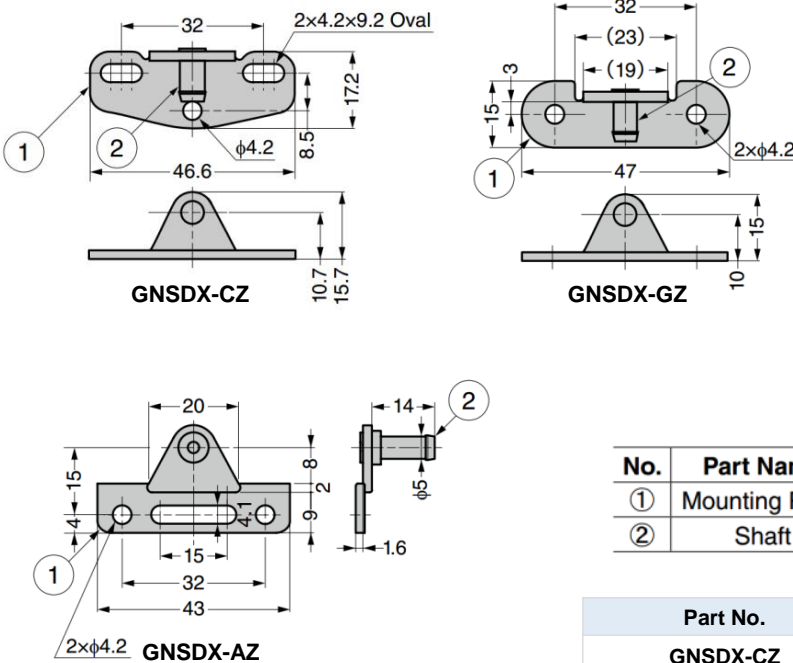
No.	Part Name	Material	Finish
①	Face Plate	Zinc Alloy (ZDC)	Chrome (CR), Black (BL)
②	Spacer	ABS	Black

Part No.	Finish
GSDS-50G-CR	Chrome
GSDS-50G-BL	Black

GNSDX Mounting Plate

Features

- Mounting plate for quick installation of **GNSDX** lid supports / stays
- Three types available



No.	Part Name	Material	Finish
①	Mounting Plate	Steel (SPCC)	Nickel
②	Shaft	Steel (SWCH)	

Part No.	Finish
GNSDX-CZ	Clip-on
GNSDX-AZ	Clip-on for 20 mm aluminium frame
GNSDX-GZ	Clip-on for glass door